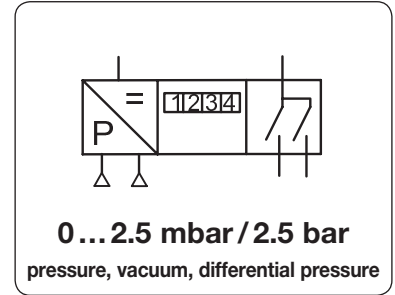
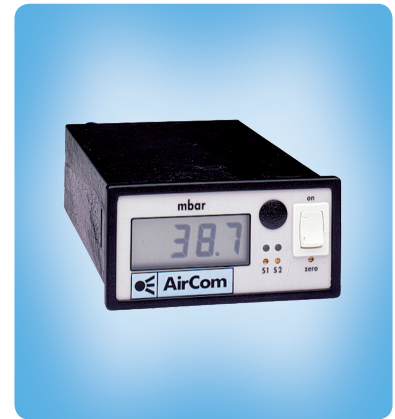


Description	A piezo-resistive pressure sensor converts the input pressure into a digital electrical signal.	
Medium	compressed air or non-corrosive gases	Overpressure see chart
Voltage supply	15...30 V DC standard, optionally 230 V AC, with reverse voltage protection	
Electrical connector	7-pin connector, 16-pin connector for additional 4...20 mA output signal	
Pneumatic connection	P+: pos. pressure P-: vacuum P+/P-: differential pressure, the higher pressure is to be connected at P+ quick connector ports Ø 4 mm at the back	
Display	3½-digit LCD display, max. ± 1999,	12.7 mm tall, black numbers
Output signal	0...10 V	optionally 4...20 mA, impedance < 500 Ω
Linearity/Hysteresis	< 1% FS, optionally < 0.5% FS	
Long-term stability	< 0.5% FS per year at < 10 mbar,	
Temperature sensitivity	see chart, at 0 to 50 °C / 32 to 122 °F	
Response time	< 1 ms for 10...90% of pressure range	
Temperature range	0 °C to 70 °C / 32 °F to 158 °F at < 10 mbar,	Repeatability see chart
	0 °C to 50 °C / 32 °F to 122 °F compensated pressure range	Protection class IP 20
Material	Housing: glass fibre-reinforced Noryl plastic	



Repeatability	Temperature sensitivity	Linearity	Over-pressure	Measurement range	Order number
% FS	% FS	% FS	mbar / bar	mbar / bar	

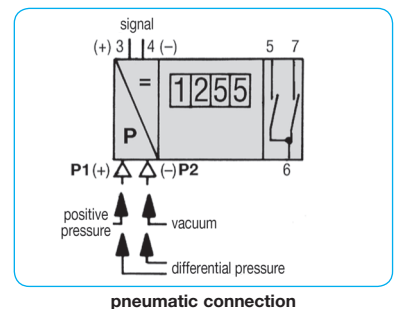
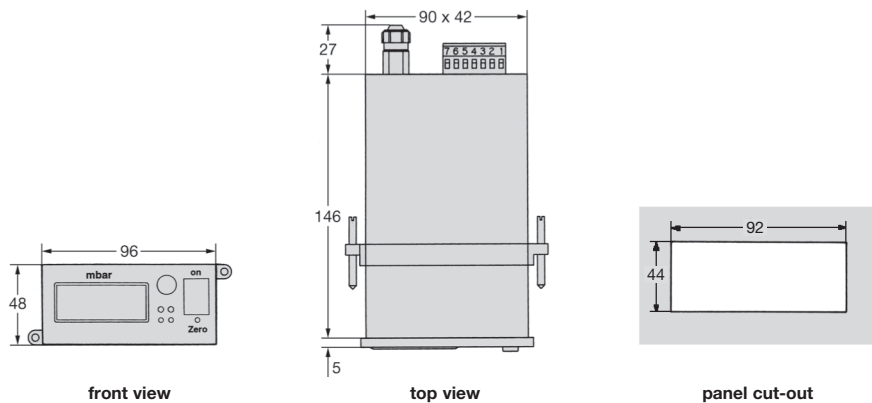
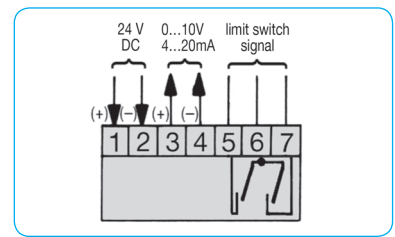
Digital gauge	for compressed air, measurement of positive pressure, vacuum and differential pressure, 24 V DC, outlet signal 0...10 V, 3½-digit display				MPV
0.2	5.0	1.0	25 mbar	0... 2.5 mbar	MPV-A2
0.2	5.0	1.0	25 mbar	0... 5 mbar	MPV-A5
0.2	2.5	1.0	25 mbar	0... 10 mbar	MPV-B1
0.5	1.0	1.0	300 mbar	0... 25 mbar	MPV-B2
0.5	1.0	1.0	750 mbar	0... 50 mbar	MPV-B5
0.5	1.0	1.0	1 bar	0... 100 mbar	MPV-C1
0.5	1.0	1.0	1 bar	0... 250 mbar	MPV-C2
0.5	1.0	1.0	1 bar	0... 500 mbar	MPV-C5
0.5	1.0	1.0	3 bar	0... 1 bar	MPV-01
0.5	1.0	1.0	6 bar	0... 2.5 bar	MPV-02



MPV-C1S
with two limit switches

Special options, add the appropriate letter

4...20 mA output signal		MPA- . .
two limit switches	with LED, 230 V AC, 1 A, adjustable NOC	MP . - . S
linearity 0.5%		MP . - . B
230 V AC	supply voltage	MP . - . V
deviant pressure range	measurement range to be indicated in clear text	MP . - XX



*1 handshake on/off, baud rate 9600

Calibration or test chart: see chapter "Technical Information"

Order example:
MPV-A2